

CYCLONE

*An opal circular luminaire with a contemporary design.
CYCLONE is a piece of architecture, perfect for adding stature to an area.
With its gentle uniform lighting, it upgrades areas such as lobbies, corridors, offices,
stores and homes.*



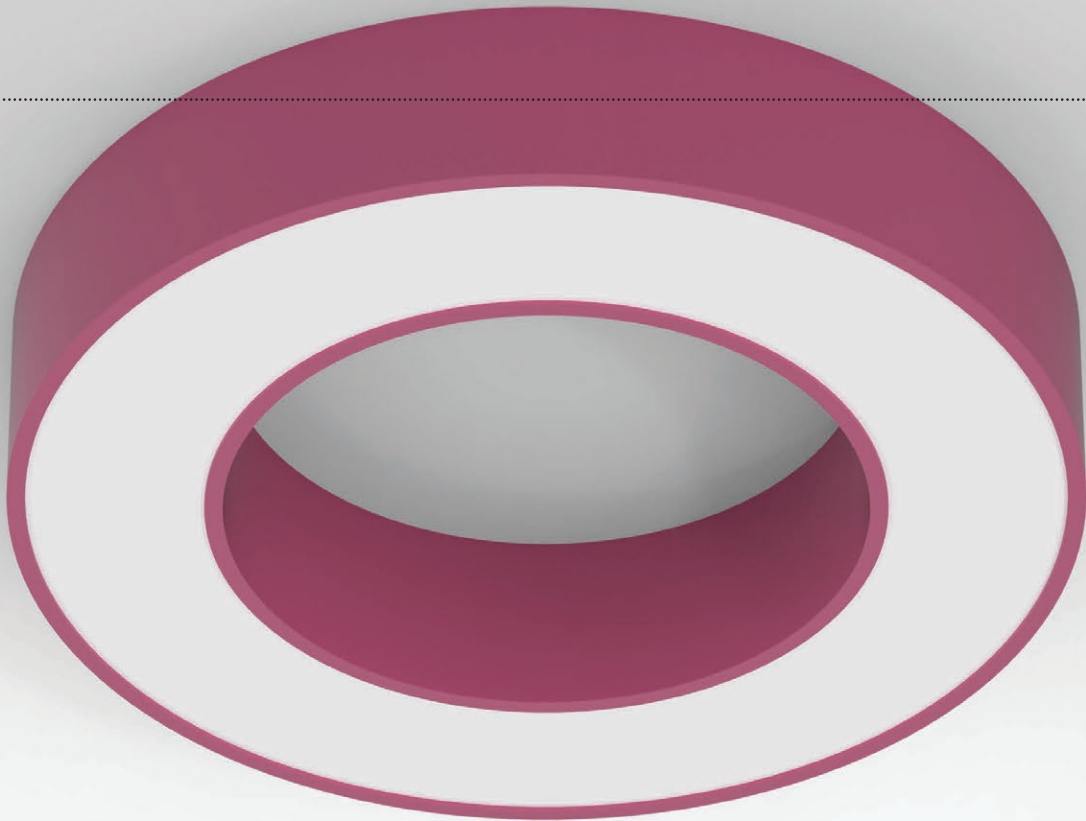
Technical Features

- Aluminium body, painted electrostatically in selected colour.
- High efficient satin cover.
- Direct illumination.
- Pure light without IR/UV radiation.
- Operation life: 50,000 hours with efficiency > 80% of the initial luminous flux (L80B10).
- Connection for operation on 230V/50Hz.

Upon Request

- Connection for operation on 230V-50/60Hz with dimmer dali or 1-10VDC ballast.

CYCLONE





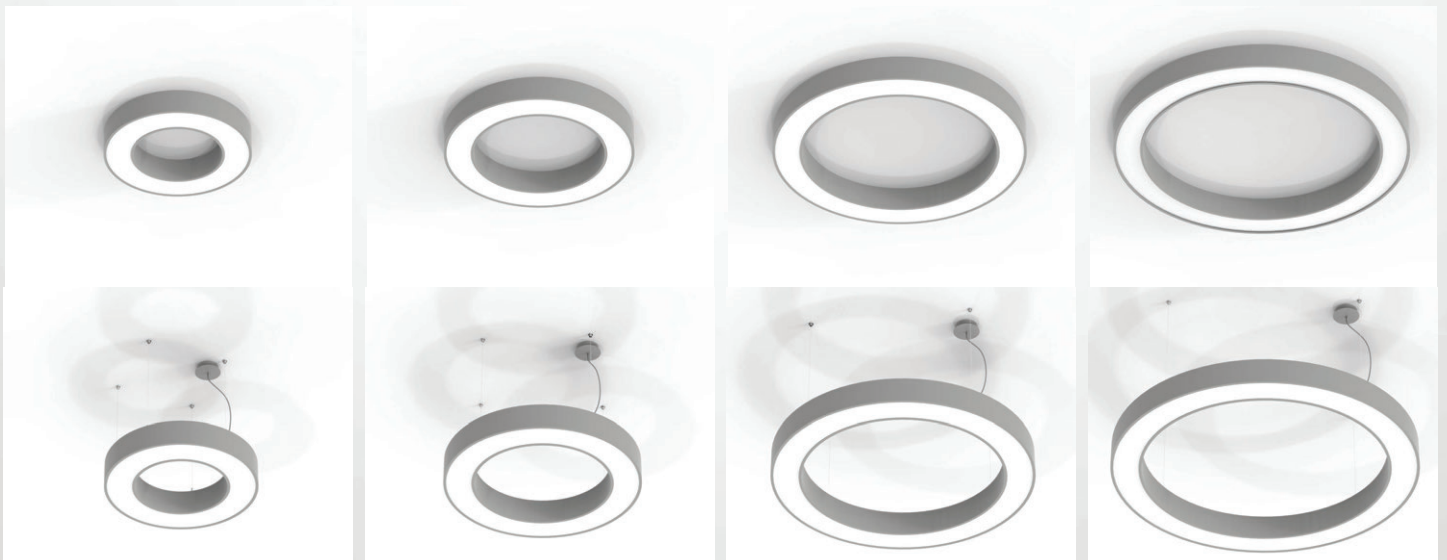
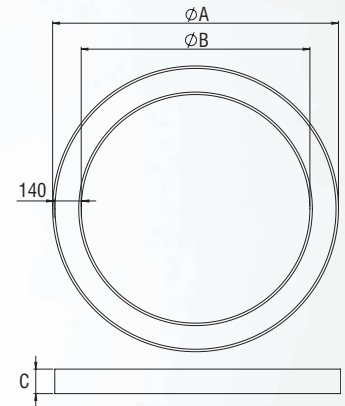




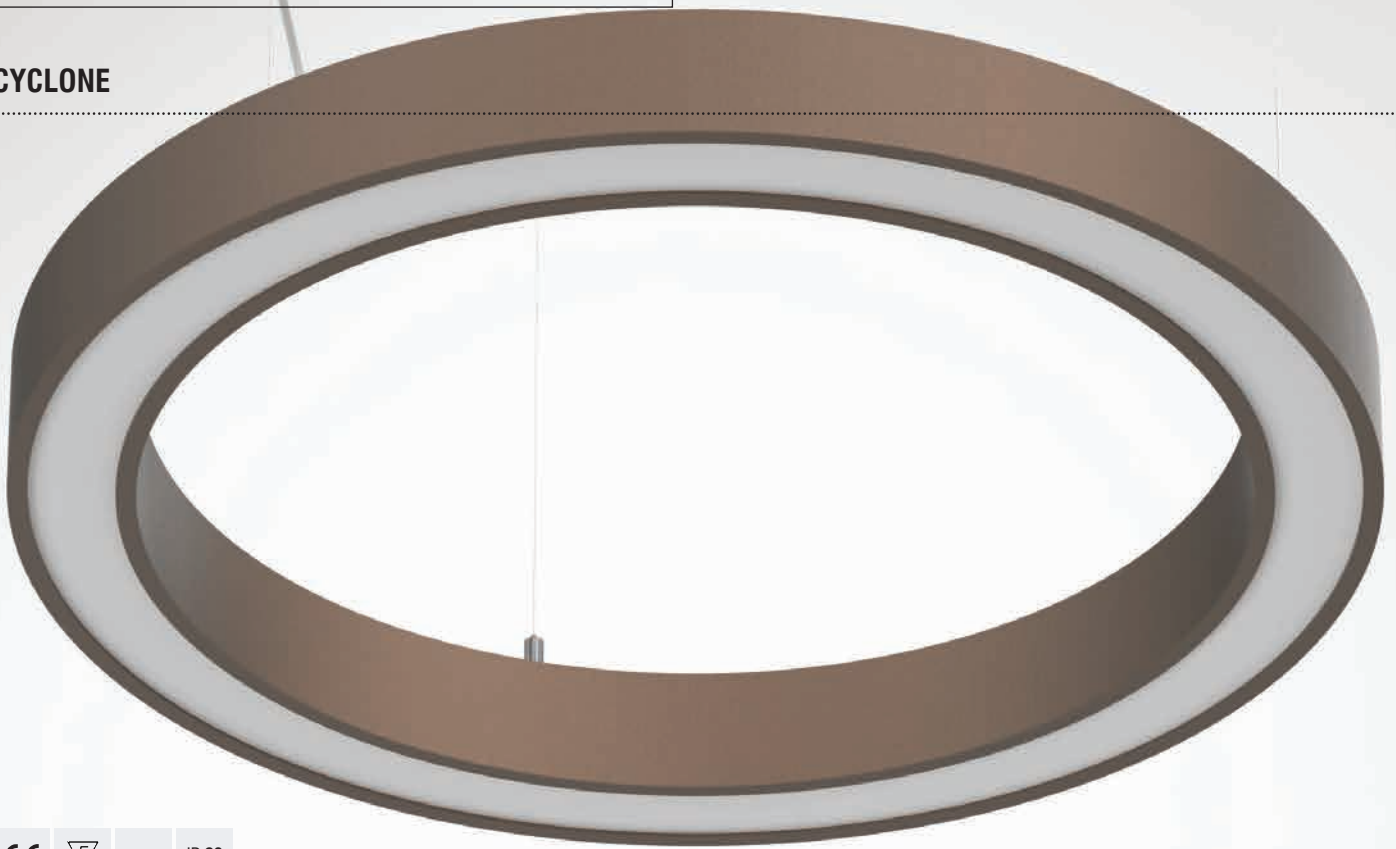



- Aluminium body, painted electrostatically in selected colour.
- High efficient satin cover.
- Efficiency:
 164Lm/W at 4000K 300mA CRI: min. 80
 157Lm/W at 3000K 300mA CRI: min. 80

Code	Description	Dimensions mm		
		ØA	ØB	C
8241012	Cyclone 1 43W Warm	700	420	120
8241013	Cyclone 1 43W Neutral	700	420	120
8241022	Cyclone 2 56W Warm	900	620	120
8241023	Cyclone 2 56W Neutral	900	620	120
8241032	Cyclone 3 79W Warm	1200	920	120
8241033	Cyclone 3 79W Neutral	1200	920	120
8241042	Cyclone 4 92W Warm	1400	1120	120
8241043	Cyclone 4 92W Neutral	1400	1120	120



CYCLONE



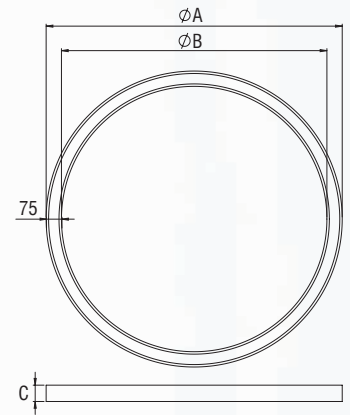









- Aluminium body, painted electrostatically in selected colour.
- High efficient satin cover.
- Efficiency:
 - 164Lm/W at 4000K 300mA CRI: min. 80
 - 157Lm/W at 3000K 300mA CRI: min. 80



Code	Description	Dimensions mm		
		ØA	ØB	C
8241052	Cyclone Slim 1 38W Warm	600	450	80
8241053	Cyclone Slim 1 38W Neutral	600	450	80
8241062	Cyclone Slim 2 52W Warm	800	650	80
8241063	Cyclone Slim 2 52W Neutral	800	650	80
8241072	Cyclone Slim 3 79W Warm	1100	950	80
8241073	Cyclone Slim 3 79W Neutral	1100	950	80
8241082	Cyclone Slim 4 99W Warm	1450	1300	80
8241083	Cyclone Slim 4 99W Neutral	1450	1300	80

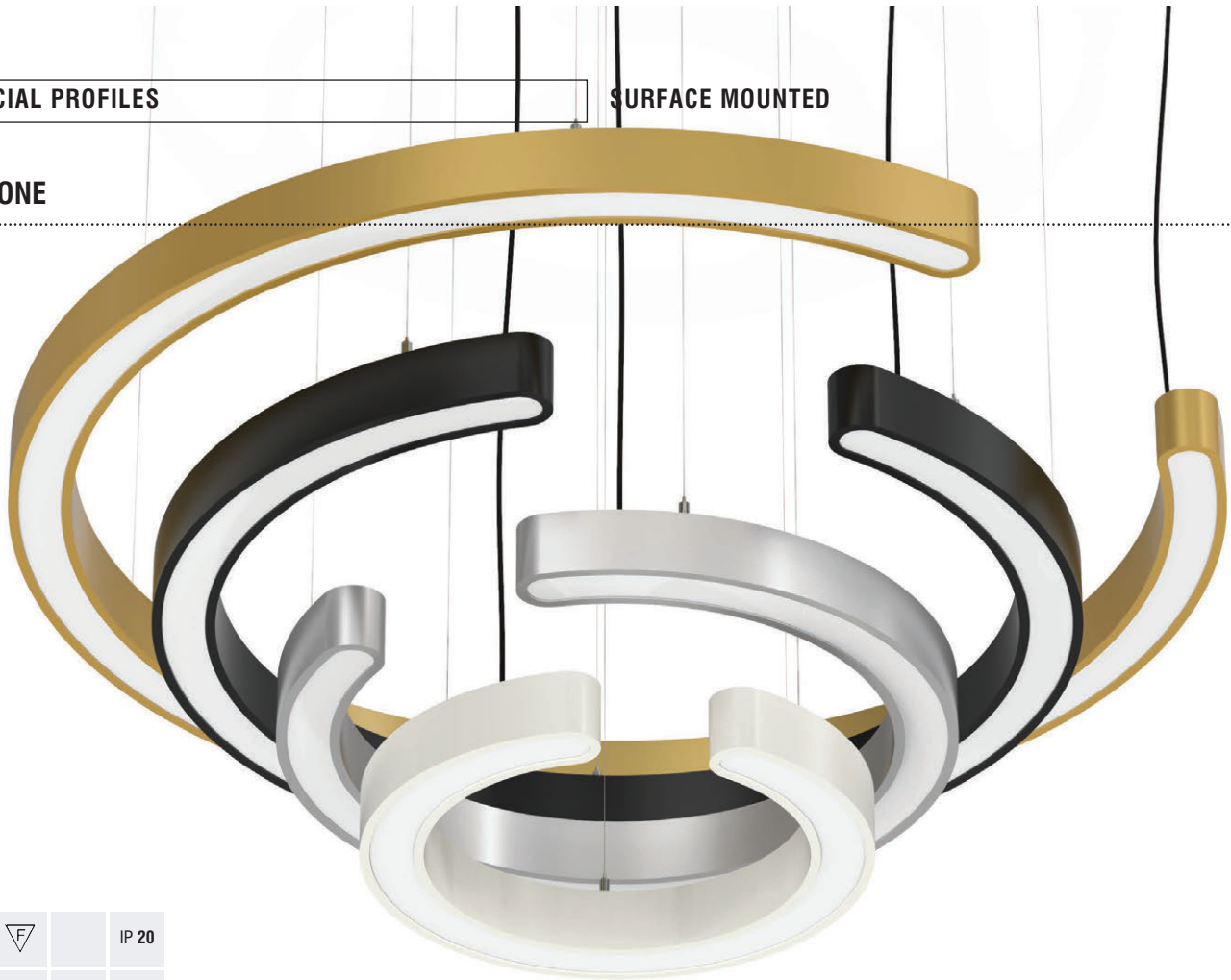




SPECIAL PROFILES

SURFACE MOUNTED

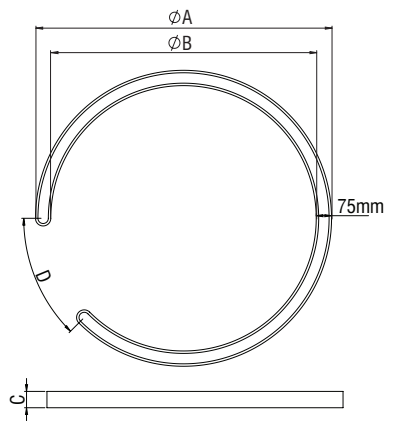
CYCLONE



CE	F	IP 20
LED	5 YEARS WARRANTY	ta 25°C
		300mA

- Aluminium body, painted electrostatically in selected colour.
- High efficient satin cover.
- Efficiency:
164Lm/W at 4000K 300mA CRI: min. 80
157Lm/W at 3000K 300mA CRI: min. 80

Code	Description	Dimensions mm			
		ØA	ØB	C	D
8301052	Cyclone Slim 1 Smooth 34W Warm	600	450	80	125
8301053	Cyclone Slim 1 Smooth 34W Neutral	600	450	80	125
8301062	Cyclone Slim 2 Smooth 45W Warm	800	650	80	200
8301063	Cyclone Slim 2 Smooth 45W Neutral	800	650	80	200
8301072	Cyclone Slim 3 Smooth 69W Warm	1100	950	80	320
8301073	Cyclone Slim 3 Smooth 69W Neutral	1100	950	80	320
8301082	Cyclone Slim 4 Smooth 89W Warm	1450	1300	80	450
8301083	Cyclone Slim 4 Smooth 89W Neutral	1450	1300	80	450





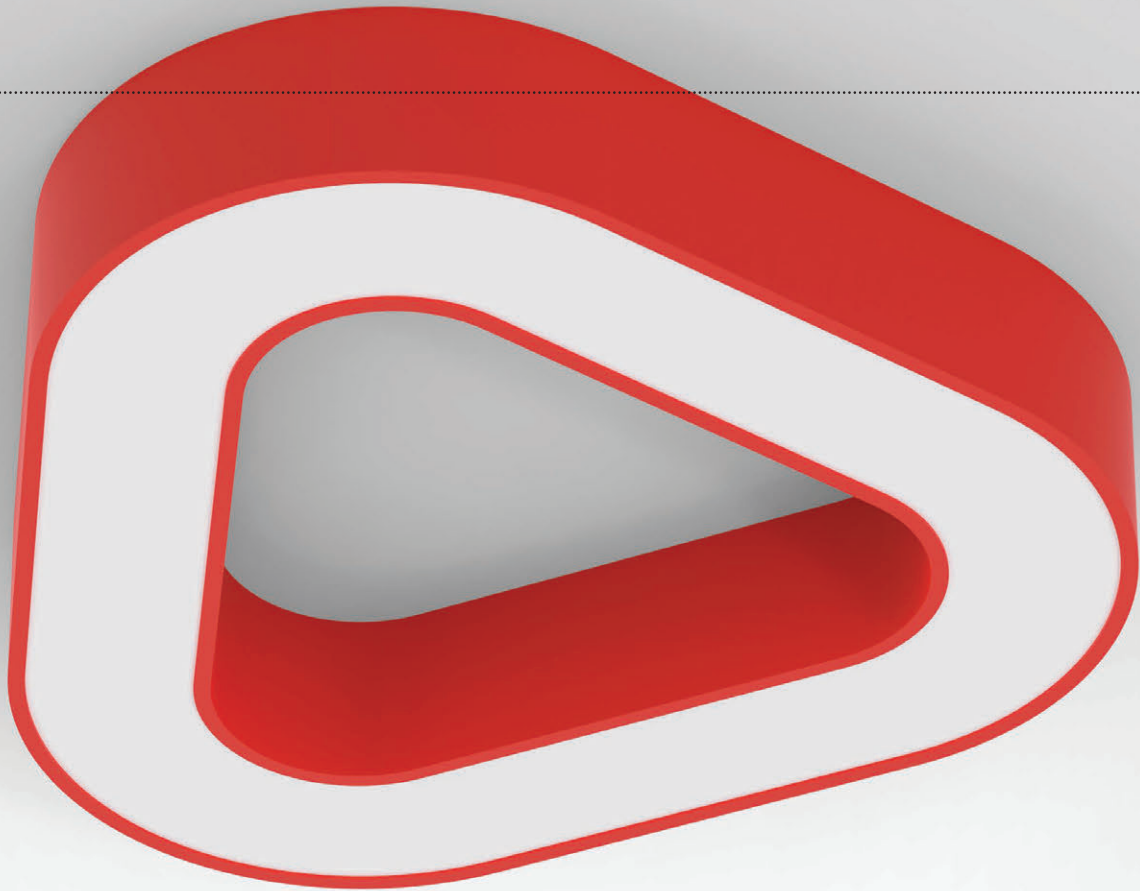


o stress café

you
always
have a
choice

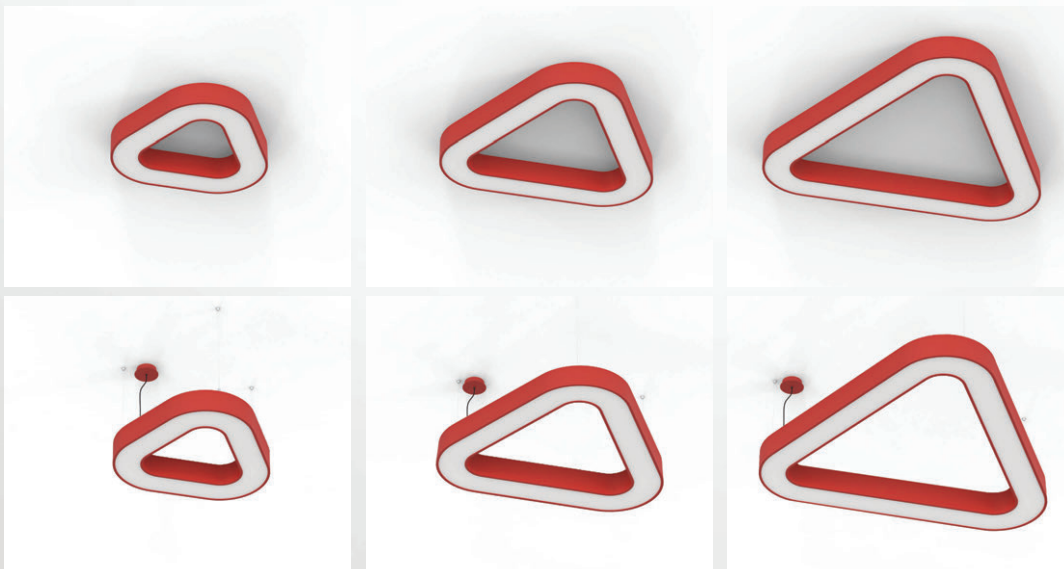
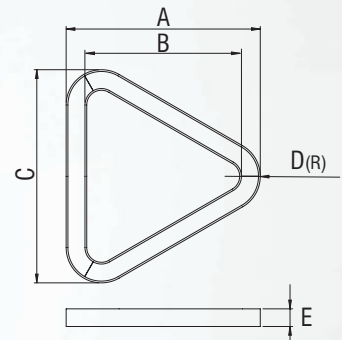


CYCLONE



- Aluminium body, painted electrostatically in selected colour.
- High efficient satin cover.
- Efficiency:
164Lm/W at 4000K 300mA CRI: min. 80
157Lm/W at 3000K 300mA CRI: min. 80

Code	Description	Dimensions mm				
		A	B	C	D(R)	E
8241172	Cyclone 1 TR 53W Warm	760	480	800	240	120
8241173	Cyclone 1 TR 53W Neutral	760	480	800	240	120
8241182	Cyclone 2 TR 75W Warm	1020	740	1100	240	120
8241183	Cyclone 2 TR 75W Neutral	1020	740	1100	240	120
8241192	Cyclone 3 TR 96W Warm	1320	1040	1450	240	120
8241193	Cyclone 3 TR 96W Neutral	1320	1040	1450	240	120



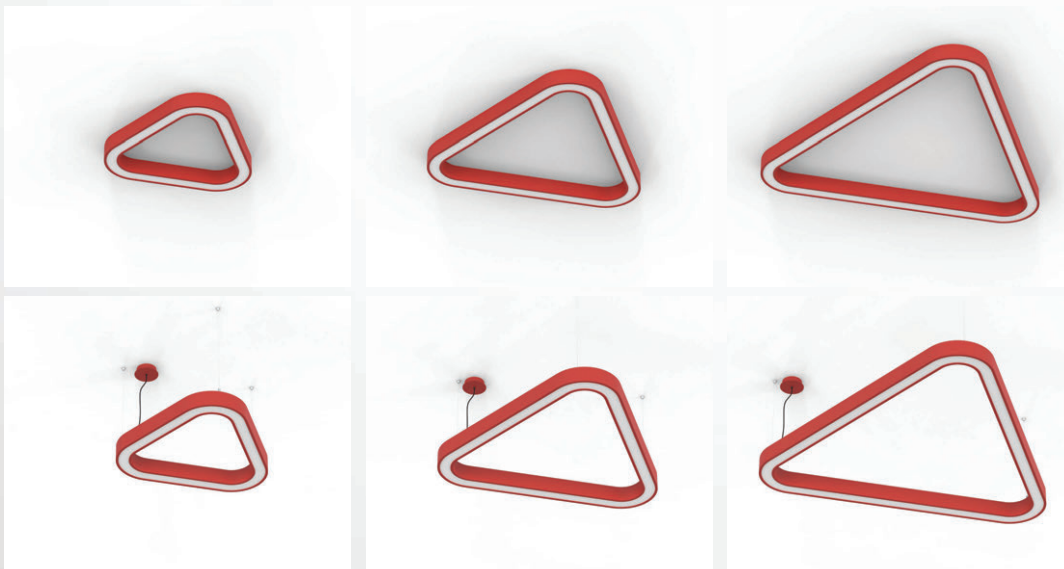
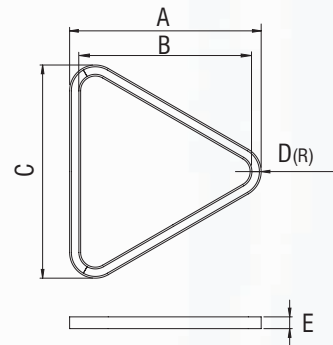
CYCLONE



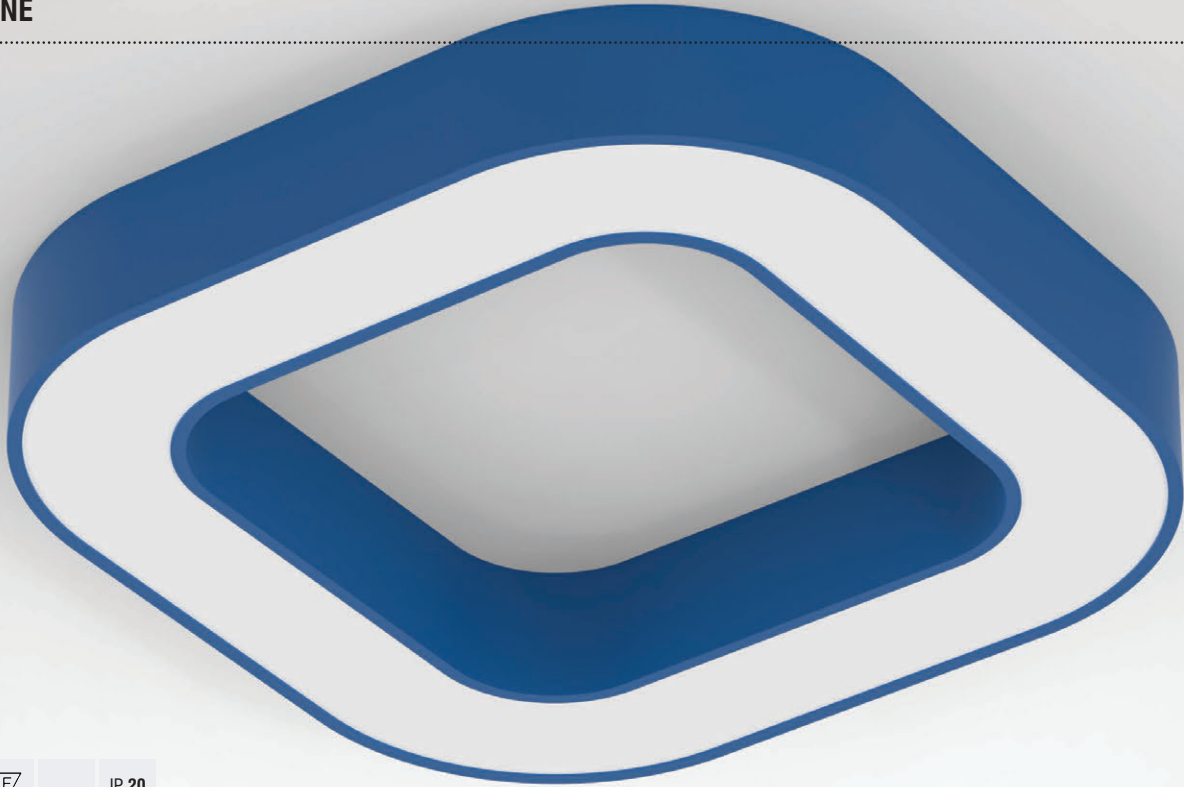
CE	F	IP 20
LED	5	ta 25°C
		300mA

- Aluminium body, painted electrostatically in selected colour.
- High efficient satin cover.
- Efficiency:
164Lm/W at 4000K 300mA CRI: min. 80
157Lm/W at 3000K 300mA CRI: min. 80

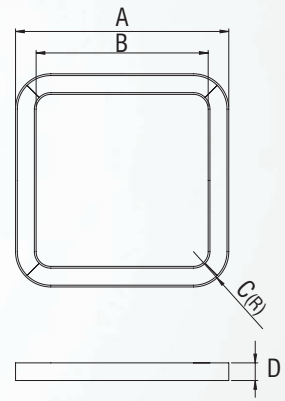
Code	Description	Dimensions mm				
		A	B	C	D(R)	E
8241202	Cyclone Slim 1 TR 50W Warm	700	550	750	175	80
8241203	Cyclone Slim 1 TR 50W Neutral	700	550	750	175	80
8241212	Cyclone Slim 2 TR 75W Warm	1000	850	1100	175	80
8241213	Cyclone Slim 2 TR 75W Neutral	1000	850	1100	175	80
8241222	Cyclone Slim 3 TR 96W Warm	1300	1150	1450	175	80
8241223	Cyclone Slim 3 TR 96W Neutral	1300	1150	1450	175	80



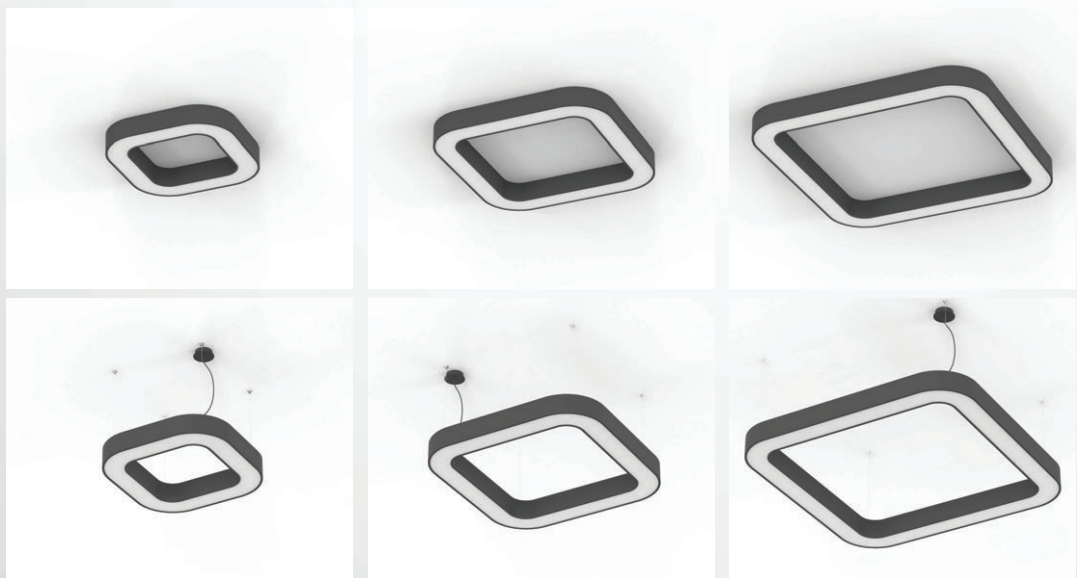
CYCLONE



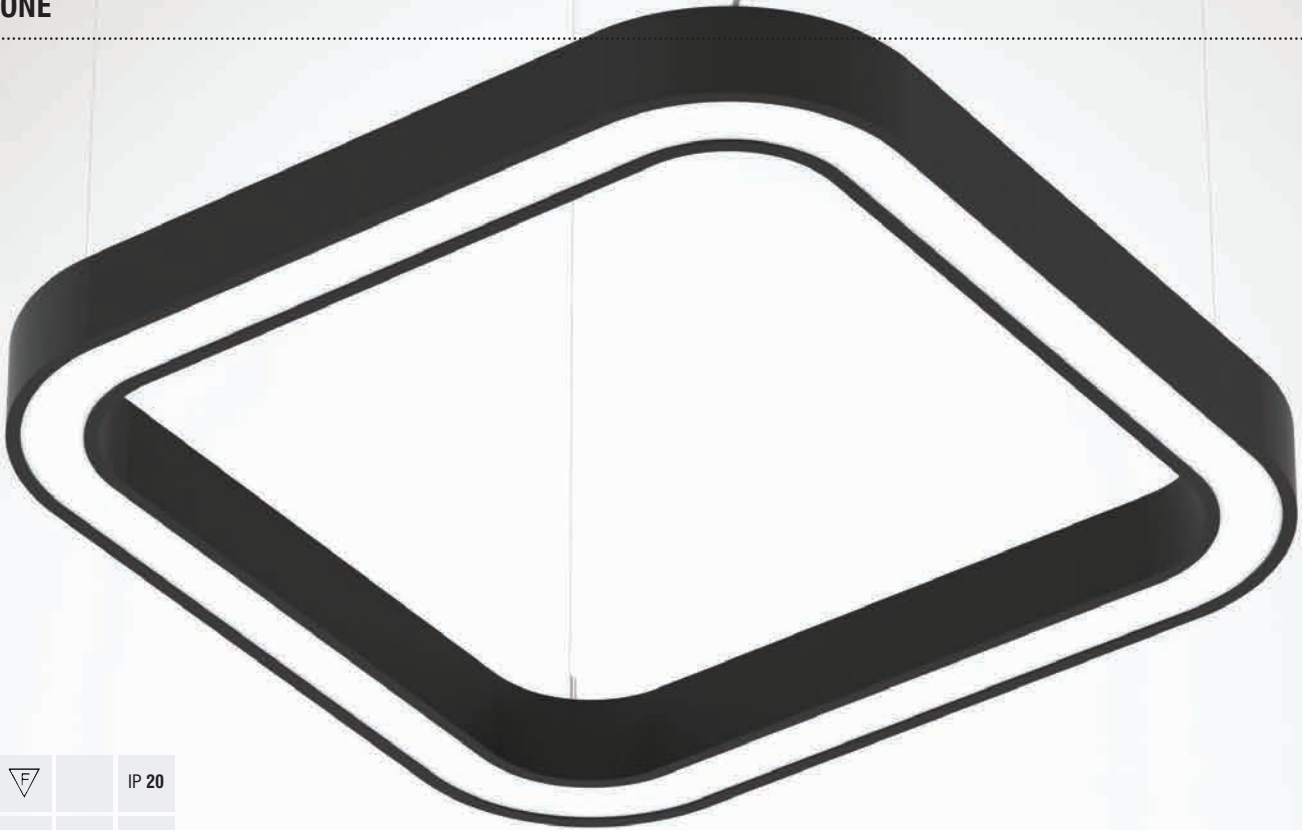
- Aluminium body, painted electrostatically in selected colour.
- High efficient satin cover.
- Efficiency:
164Lm/W at 4000K 300mA CRI: min. 80
157Lm/W at 3000K 300mA CRI: min. 80



Code	Description	Dimensions mm			
		A	B	C(R)	D
8241232	Cyclone 1 SQ 56W Warm	800	520	240	120
8241233	Cyclone 1 SQ 56W Neutral	800	520	240	120
8241242	Cyclone 2 SQ 85W Warm	1100	820	240	120
8241243	Cyclone 2 SQ 85W Neutral	1100	820	240	120
8241252	Cyclone 3 SQ 113W Warm	1450	1170	240	120
8241253	Cyclone 3 SQ 113W Neutral	1450	1170	240	120



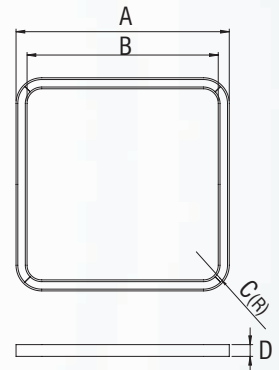
CYCLONE



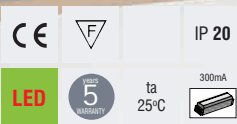
CE	F	IP 20
LED	5	ta 25°C
		300mA

- Aluminium body, painted electrostatically in selected colour.
- High efficient satin cover.
- Efficiency:
 164Lm/W at 4000K 300mA CRI: min. 80
 157Lm/W at 3000K 300mA CRI: min. 80

Code	Description	Dimensions mm			
		A	B	C(R)	D
8241262	Cyclone Slim 1 SQ 70W Warm	850	700	175	80
8241263	Cyclone Slim 1 SQ 70W Neutral	850	700	175	80
8241272	Cyclone Slim 2 SQ 99W Warm	1150	1000	175	80
8241273	Cyclone Slim 2 SQ 99W Neutral	1150	1000	175	80
8241282	Cyclone Slim 3 SQ 126W Warm	1450	1300	175	80
8241283	Cyclone Slim 3 SQ 126W Neutral	1450	1300	175	80

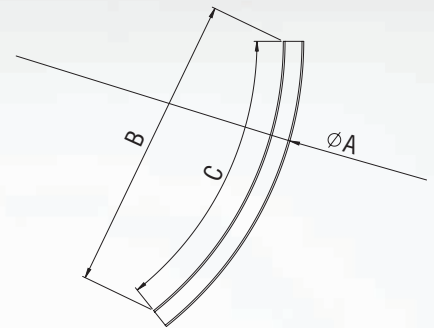


CYCLONE



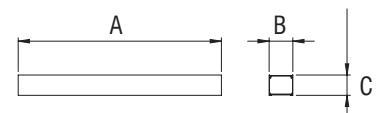
- Aluminium body, painted electrostatically in selected colour.
 - High efficient satin cover.
 - Efficiency:
 164Lm/W at 4000K 300mA CRI: min. 80
 157Lm/W at 3000K 300mA CRI: min. 80

Code	Description	Dimensions mm		
		∅A	B	C ⁽¹⁾
8241292	Cyclone 5 Part 46W Warm	2000 - 1720	1700	120
8241293	Cyclone 5 Part 46W Neutral	2000 - 1720	1700	120
8241302	Cyclone 6 Part 43W Warm	3000 - 2720	1600	72
8241303	Cyclone 6 Part 43W Neutral	3000 - 2720	1600	72
8241312	Cyclone 7 Part 43W Warm	4000 - 3720	1735	51
8241313	Cyclone 7 Part 43W Neutral	4000 - 3720	1735	51
8241322	Cyclone 8 Part 53W Warm	5000 - 4720	2050	51
8241323	Cyclone 8 Part 53W Neutral	5000 - 4720	2050	51



- Aluminium body, painted electrostatically in selected colour.
 - High efficient satin cover.
 - Efficiency:
 164Lm/W at 4000K 300mA CRI: min. 80
 157Lm/W at 3000K 300mA CRI: min. 80

Code	Description	Dimensions mm		
		A	B	C
8241332	Cyclone 9 Part 29W Warm	1200	140	120
8241333	Cyclone 9 Part 29W Neutral	1200	140	120
8241342	Cyclone 10 Part 16W Warm	600	140	120
8241343	Cyclone 10 Part 16W Neutral	600	140	120
8241352	Cyclone 11 Part 8W Warm	300	140	120
8241353	Cyclone 11 Part 8W Neutral	300	140	120

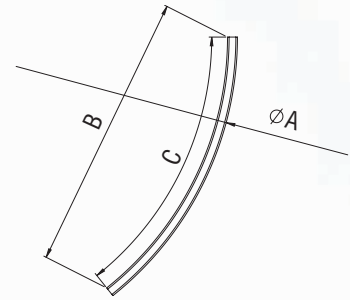


CYCLONE



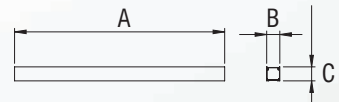
- Aluminium body, painted electrostatically in selected colour.
- High efficient satin cover.
- Efficiency:
164Lm/W at 4000K 300mA CRI: min. 80
157Lm/W at 3000K 300mA CRI: min. 80

Code	Description	Dimensions mm		
		ØA	B	C ^(a)
8241362	Cyclone Slim 5 Part 50W Warm	2000 - 1850	1700	120
8241363	Cyclone Slim 5 Part 50W Neutral	2000 - 1850	1700	120
8241372	Cyclone Slim 6 Part 43W Warm	3000 - 2850	1675	72
8241373	Cyclone Slim 6 Part 43W Neutral	3000 - 2850	1675	72
8241382	Cyclone Slim 7 Part 43W Warm	4000 - 3850	1670	51
8241383	Cyclone Slim 7 Part 43W Neutral	4000 - 3850	1670	51
8241392	Cyclone Slim 8 Part 53W Warm	5000 - 4850	2100	51
8241393	Cyclone Slim 8 Part 53W Neutral	5000 - 4850	2100	51



- Aluminium body, painted electrostatically in selected colour.
- High efficient satin cover.
- Efficiency:
164Lm/W at 4000K 300mA CRI: min. 80
157Lm/W at 3000K 300mA CRI: min. 80

Code	Description	Dimensions mm		
		A	B	C
8241402	Cyclone Slim 9 Part 29W Warm	1200	75	80
8241403	Cyclone Slim 9 Part 29W Neutral	1200	75	80
8241412	Cyclone Slim 10 Part 16W Warm	600	75	80
8241413	Cyclone Slim 10 Part 16W Neutral	600	75	80
8241422	Cyclone Slim 11 Part 8W Warm	300	75	80
8241423	Cyclone Slim 11 Part 8W Neutral	300	75	80

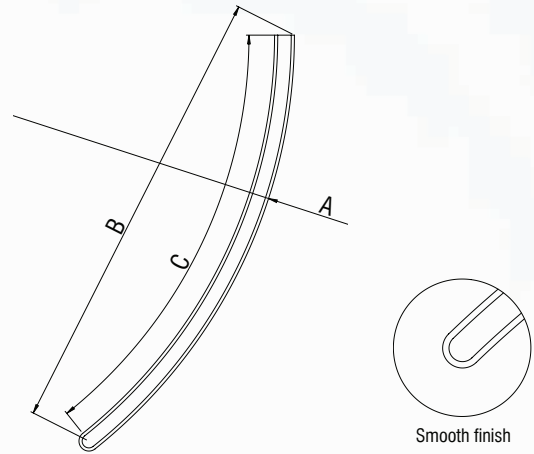


CYCLONE



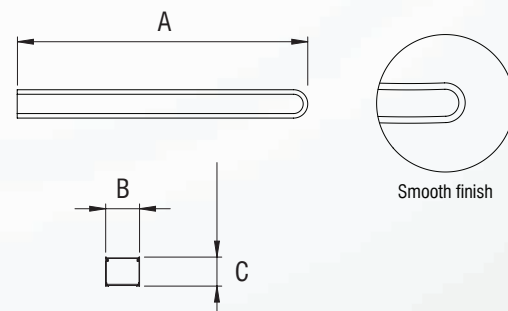
- Aluminium body, painted electrostatically in selected colour.
- High efficient satin cover.
- Efficiency:
164Lm/W at 4000K 300mA CRI: min. 80
157Lm/W at 3000K 300mA CRI: min. 80

Code	Description	Dimensions mm		
		ØA	B	C (1)
8301362	Cyclone Slim 5 Part Smooth 50W Warm	2000 - 1850	1700	120
8301363	Cyclone Slim 5 Part Smooth 50W Neutral	2000 - 1850	1700	120
8301372	Cyclone Slim 6 Part Smooth 43W Warm	3000 - 2850	1675	72
8301373	Cyclone Slim 6 Part Smooth 43W Neutral	3000 - 2850	1675	72
8301382	Cyclone Slim 7 Part Smooth 43W Warm	4000 - 3850	1670	51
8301383	Cyclone Slim 7 Part Smooth 43W Neutral	4000 - 3850	1670	51
8301392	Cyclone Slim 8 Part Smooth 53W Warm	5000 - 4850	2100	51
8301393	Cyclone Slim 8 Part Smooth 53W Neutral	5000 - 4850	2100	51



- Aluminium body, painted electrostatically in selected colour.
- High efficient satin cover.
- Efficiency:
164Lm/W at 4000K 300mA CRI: min. 80
157Lm/W at 3000K 300mA CRI: min. 80

Code	Description	Dimensions mm		
		A	B	C
8301402	Cyclone Slim 9 Part Smooth 29W Warm	1200	75	80
8301403	Cyclone Slim 9 Part Smooth 29W Neutral	1200	75	80
8301412	Cyclone Slim 10 Part Smooth 16W Warm	600	75	80
8301413	Cyclone Slim 10 Part Smooth 16W Neutral	600	75	80
8301422	Cyclone Slim 11 Part Smooth 8W Warm	300	75	80
8301423	Cyclone Slim 11 Part Smooth 8W Neutral	300	75	80



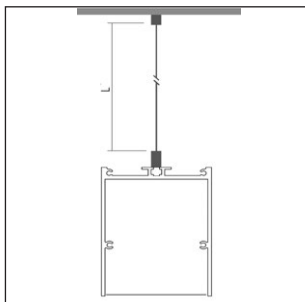






CYCLONE ACCESSORIES

SINGLE ADJUSTABLE SUSPENSION

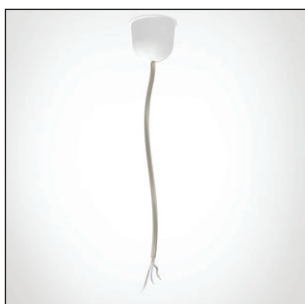


CE

- Stainless steel cable and regulators.
- **Required:**
3 pieces for each luminaire.

Code	Description	L	Kg
900111	Single Suspension	500	0,050
900112	Single Suspension	1000	0,100
900113	Single Suspension	1500	0,150
900114	Single Suspension	2000	0,200
900116	Single Suspension	3000	0,300

POWER SUPPLY



CE

- Plastic body.
- With transparent cable 3x0,75mm² or 5x0,50mm² for dimmer.

Code	Description	L	Kg
900122	Power Supply 3x0,75mm ² with Rosette Ø75	1000	0,120
900124	Power Supply 3x0,75mm ² with Rosette Ø75	2000	0,240
900126	Power Supply 3x0,75mm ² with Rosette Ø75	3000	0,360
900127	Power Supply 3x0,75mm ² with Rosette Ø75	4000	0,500
900162	Power Supply 5x0,50mm ² with Rosette Ø75	1000	0,120
900164	Power Supply 5x0,50mm ² with Rosette Ø75	2000	0,240
900166	Power Supply 5x0,50mm ² with Rosette Ø75	3000	0,360
900167	Power Supply 5x0,50mm ² with Rosette Ø75	4000	0,500

POWER SUPPLY



CE

- For pendant use.
- Body from aluminium profile.
- With transparent cable 3x0,75mm² or 5x0,50mm² for dimmer.
- Square or round version.

Code	Description	Kg
90042	Power Supply 3x0,75mm ² L 2m Ø80	0,130
90043	Power Supply 3x0,75mm ² L 2m Ø70	0,130
90044	Power Supply 3x0,75mm ² L 2m 80x80	0,210
90045	Power Supply 3x0,75mm ² L 2m 70x70	0,200
90048	Power Supply 5x0,50mm ² L 2m Ø100	0,250
90049	Power Supply 5x0,50mm ² L 2m 100x100	0,300



Colour Codes:

0 Colours 1 White 2 Titan 3 Black

